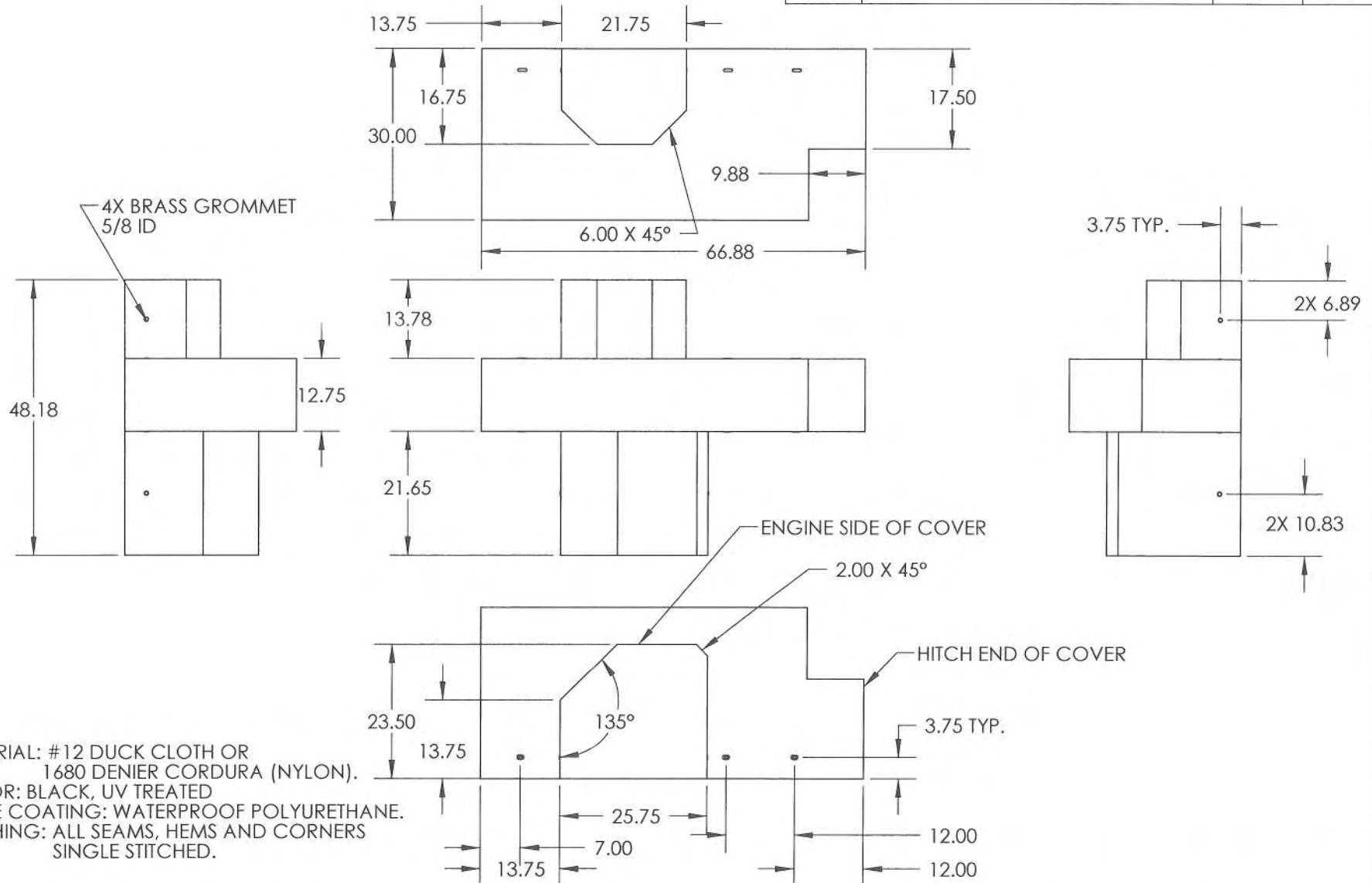


PART NUMBER
47-02-17-00
 ECL
A

47-02-17-00 COVER, LOG SPLITTER, 15 TON

REVISIONS			
ECL	DESCRIPTION	DATE	ECR
A	CHANGED TO BLACK	1/11/10	2010-03



MATERIAL: #12 DUCK CLOTH OR
 1680 DENIER CORDURA (NYLON).
 COLOR: BLACK, UV TREATED
 INSIDE COATING: WATERPROOF POLYURETHANE.
 STITCHING: ALL SEAMS, HEMS AND CORNERS
 SINGLE STITCHED.



ALL MATERIAL: SUBSTITUTION ALLOWED PER EQUIVALENTS AS SPECIFIED
 IN THE "ASM WORLDWIDE GUIDE TO EQUIVALENT IRONS AND STEELS"
PROPRIETARY AND CONFIDENTIAL
 THE INFORMATION CONTAINED IN THIS DRAWING IS THE SOLE
 PROPERTY OF SPECIAL PRODUCTS CO. ANY REPRODUCTION IN
 PART OR AS A WHOLE WITHOUT THE WRITTEN PERMISSION OF
 SPECIAL PRODUCT CO. IS PROHIBITED.

WEIGHT = N/A	NAME:	DATE:
DIMENSIONS IN INCHES	CHECKED:	
TOLERANCES:	DRAWN:	R.MANN
FRACTION ± 1/16 XX ± .1	DATE:	9/14/07
ANGLE ± 2° XXX ± .02	FINISH:	SEE NOTES
X.XXX ± .010	MATERIAL:	SEE NOTES

SPECIAL PRODUCTS CO.		
15000 W. 44th AVE GOLDEN, COLO.		
TITLE: COVER, LOG SPLITTER, 15 TON		
QUOTE NUMBER	PART NUMBER	ECL
Quote # 47-02-17-00		A
SCALE: None	INITIAL ECN: 2007-62	SHEET 1 OF 1

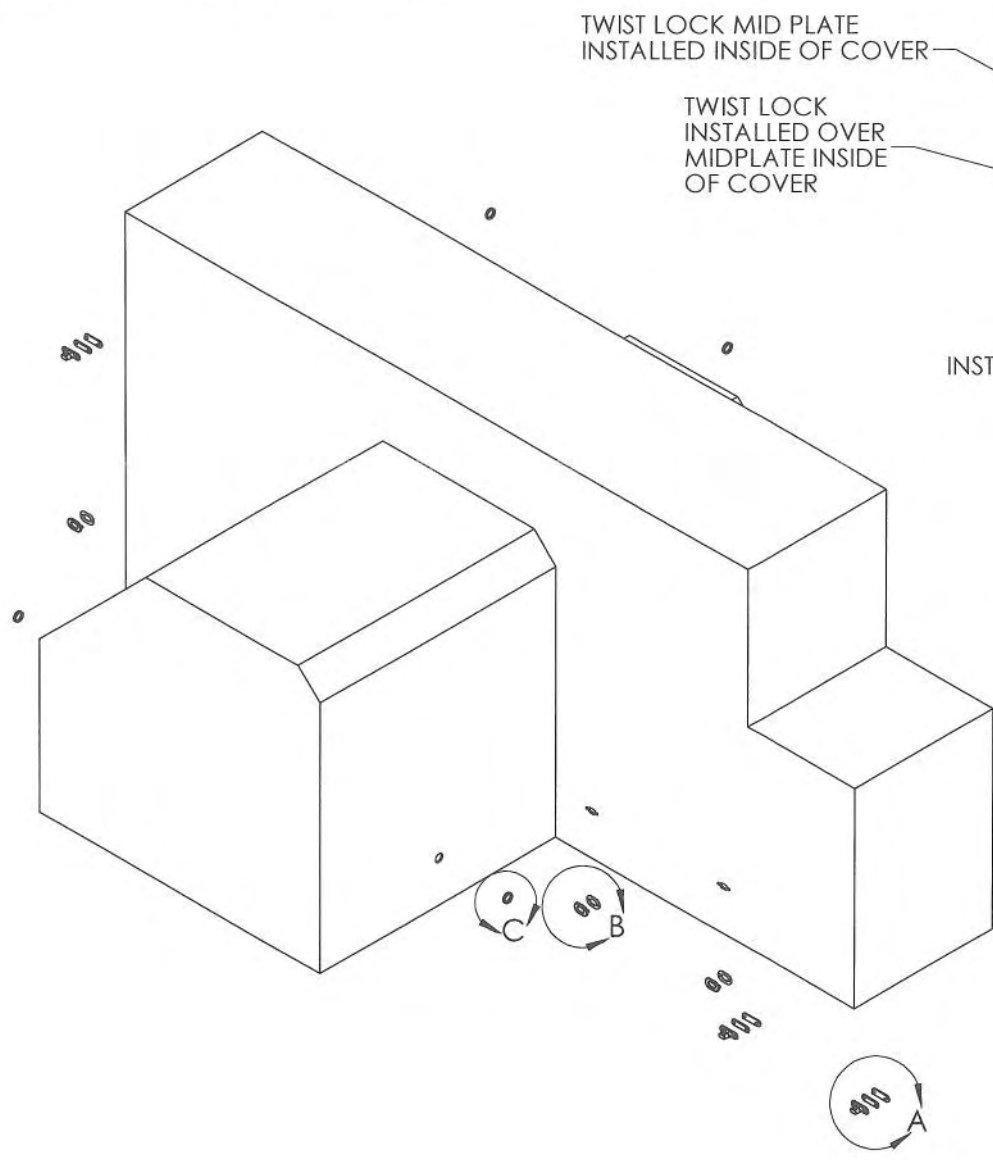
VERIFY PRINTED COPY CURRENT BEFORE USE

MOST RECENT RELEASE: 2010-03

PART NUMBER
47-02-17-00
ECL
A

47-02-17-00 COVER, LOG SPLITTER, 15 TON

REVISIONS			
ECL	DESCRIPTION	DATE	ECR
A	CHANGED TO BLACK	1/11/10	2010-03



PROPRIETARY AND CONFIDENTIAL
 THE INFORMATION CONTAINED IN THIS DRAWING IS THE SOLE PROPERTY OF SPECIAL PRODUCTS CO. ANY REPRODUCTION IN PART OR AS A WHOLE WITHOUT THE WRITTEN PERMISSION OF SPECIAL PRODUCT CO. IS PROHIBITED.

SPECIAL PRODUCTS CO.		
15000 W. 44th AVE GOLDEN, COLO.		
TITLE: COVER, LOG SPLITTER, 15 TON		
QUOTE NUMBER	PART NUMBER	ECL
Quote #	47-02-17-00	A
SCALE: None	INITIAL ECN: 2007-62	SHEET 2 OF 2

SPEECO SHEET FORMAT REV D

VERIFY PRINTED COPY CURRENT BEFORE USE

MOST RECENT RELEASE: 2010-03

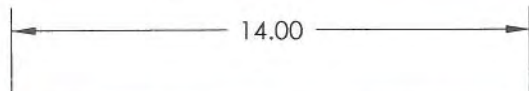
PART NUMBER: 47-02-17-00
I.D.C. A

47-02-17-00 COVER, LOG SPLITTER, 15 TON

REVISIONS			
ECL	DESCRIPTION	DATE	ECR
A	CHANGED TO BLACK	1/11/10	2010-03



TOP



LEFT



FRONT



RIGHT



BOTTOM

- NOTES:
1. ARTWORK SCREENED ONTO BOX.
 2. ALL ARTWORK AND COMPLETE SPECIFICATIONS AVAILABLE THROUGH SPEECO ADVERTISEMENT DEPARTMENT



PROPRIETARY AND CONFIDENTIAL
THE INFORMATION CONTAINED IN THIS DRAWING IS THE SOLE PROPERTY OF SPECIAL PRODUCTS CO. ANY REPRODUCTION IN PART OR AS A WHOLE WITHOUT THE WRITTEN PERMISSION OF SPECIAL PRODUCT CO. IS PROHIBITED.

SPECIAL PRODUCTS CO.		
15000 W. 44th AVE GOLDEN, COLO.		
TITLE: COVER, LOG SPLITTER, 15 TON		
QUOTE NUMBER	PART NUMBER	I.D.C.
Quote #	47-02-17-00	A
SCALE: None	INITIAL ECN: 2007-62	SHEET 2 OF 3

SPEECO SHEET FORMAT REV D