

Instruction Sheet

Kit Number: 71701600

LOG SPLITTER CRADLE KIT



WARNING: FAILURE TO FOLLOW INSTRUCTIONS could result in personal injury and/or damage to unit.

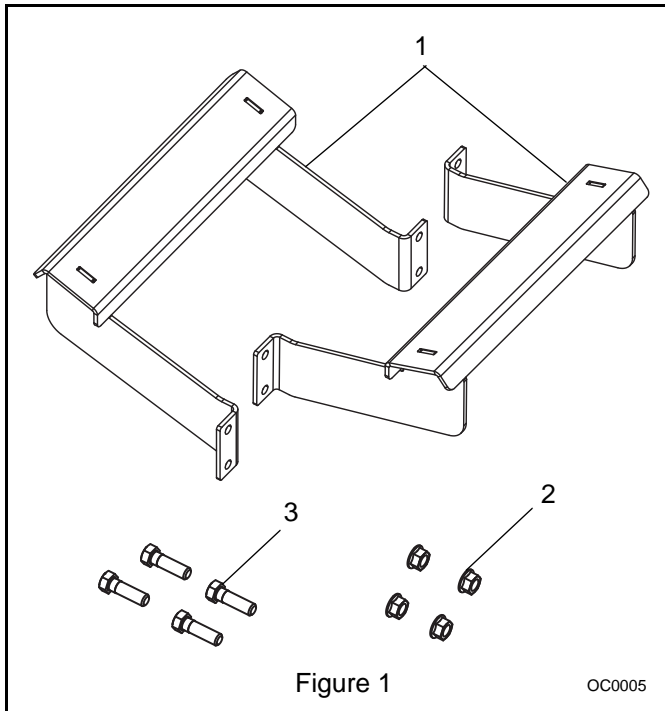
Read, understand, and follow all safety practices in Owner/Operator Manual before beginning.

ACCIDENTAL ENGINE START UP can cause death or serious injury. ALWAYS stop engine, wait for moving parts to stop, wait for hot parts to cool and remove wire from spark plug before adjusting or servicing.

UNIT CAN CAUSE SERIOUS INJURY if it rolls out of control or tips over. Chock wheels when unit is not attached to a tow vehicle.

Package Contents

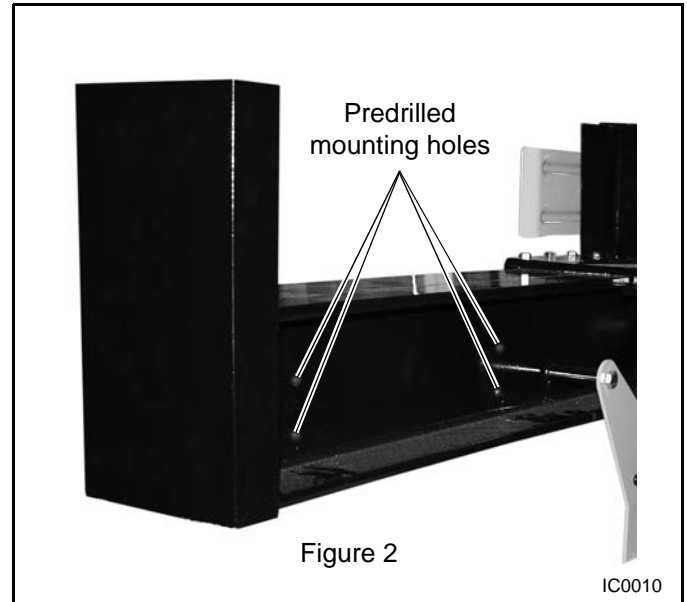
Check the contents of your kit for the parts listed below (Figure 1):



Item	Description	Qty	Part Number
1	Cradle Bracket	2	03863051
2	3/8 Top-Locking Flange Nut	4	06542000
3	3/8-16 x 1-1/4 Hex Bolt	4	05958000

INSTALLATION

1. Locate the four predrilled mounting holes on the log splitter beam. See Figure 2.



2. Install cradle brackets (item 1) using four 3/8-16 x 1-1/4 hex bolts (item 3) and four 3/8 top-locking flange nuts (item 2). See Figure 3.

