

Please carefully read and save these instructions before attempting to assemble, maintain, install, or operate this product. Observe all safety information to protect yourself and others. Failure to observe the instructions may result in property damage and/or personal injury. Please keep instructions for future reference.

Important Operating Instructions



27 TON LOG SPLITTER

Model: 52035

CALIFORNIA PROPOSITION 65

WARNING: You can create dust when you cut, sand, drill or grind materials such as wood, paint, metal, concrete, cement, or other masonry. This dust often contains chemicals known to cause cancer, birth defects, or other reproductive harm. Wear protective gear.

WARNING: This product or its power cord may contain chemicals, including lead, known to the State of California to cause cancer and birth defects or other reproductive harm. Wash hands after handling.

Important!

When using equipment, a few safety precautions must be observed to avoid injuries and damage. Please read the complete operating manual with due care. Keep this manual in a safe place, so that the information is available at all times. If you give the equipment to any other person, give them these operating instructions as well. We accept no liability for damage or

accidents which arise due to non-observance of these instructions and the safety information herein.

SPECIFICATIONS

Max Flow: 8 Gal/Min
Hydraulic Fluid Capacity: 2.5 gal of 10WT AW32 ASLE
Coupler: 2 inch ball
Max Towing Speed: 15 MPH
Max Log Length: 24 inches
Max Log Weight: 100 pound
Hydraulic Cylinder Bore: 4 inches
Hydraulic Cylinder Stroke: 23 inches
Max Log Diameter: 12 in

CAUTION:

FOR YOUR OWN SAFETY READ INSTRUCTION MANUAL COMPLETELY AND CAREFULLY BEFORE OPERATING. Failure to follow all instructions as listed below may result in electrical shock, fire, and/or serious personal injury.

SAFETY INSTRUCTIONS

WARNING: Improper use of a log splitter can cause injury and death.

Keep the work area clean and well lit.

Do not use this tool in damp or wet conditions. Do not expose it to rain.

Store idle equipment. When the tool is not in use, store it in a dry location.

Do not attempt to use the tool for a purpose it was not intended to be used for. Do not force the tool to do work it was not meant to do.

Do not overreach when using the tool. Keep proper footing and balance at all times.

Stay alert while operating the tool. Do not operate the tool under the influence of drugs or alcohol.

For warranty purchases, please keep your dated proof of purchase. File or attach to the manual for safekeeping.

Check for damaged or misaligned parts before using the splitter. Do not use the splitter if it is damaged and have it serviced before use.

Keep both hands away from edge plate during use. Wedge can cut through sin and break bones.

Wear safety glasses to avoid eye injury from pieces of log that may fly out while splitting.

High pressure fluid can inject under skin resulting in serious injury. Make sure all fittings are tight before applying pressure. Relieve system pressure before servicing. Do not check for leaks with hand. Use a piece of cardboard to check for leaks. If skin injection occurs, seek immediate treatment.

Serious injury or death can occur if splitter is improperly towed.

Do not ride or transport cargo on the splitter. Drive with the splitter securely attached. Turn off the vehicle before leaving the splitter unattended. Choose a level surface to operate the splitter and block the wheels to prevent rolling.

Position muffler at least 7 feet away from combustible objects.

Stop the engine before adding fuel and keep heat, sparks and flames away.

Do not add fuel while the engine is still running or hot.

Use an approved container to add fuel to the splitter. Do not pump fuel directly into the splitter at a gas station.

Do not change or add to the exhaust system, fuel tanks or fuel lines.

Check for fuel leaks before use.

The wedge can crush bones and cut through skin. Keep hands away from wedge and beam slide.

OPERATING INSTRUCTIONS

- 1) Load a log onto the beam and against the endplate.
- 2) Make sure hands are clear of the splitter.
- 3) Push control valve handle forward by one hand to split log.
- 4) Push control valve handle backward by one hand to return wedge to original position.
- 5) Clear split wood from work area.

MAINTENANCE

Before performing maintenance, ensure the engine is turned off and move the control handle forwards and backwards to relieve hydraulic pressure.

After performing maintenance, ensure all guards, shields and safety features are put back in place. Failure to do so can result in injury. Refer to the engine owner's manual for engine maintenance.

Inspect for exposed wire mesh and leaks on the hoses before each use. Replace all worn and damaged hoses before starting engine.

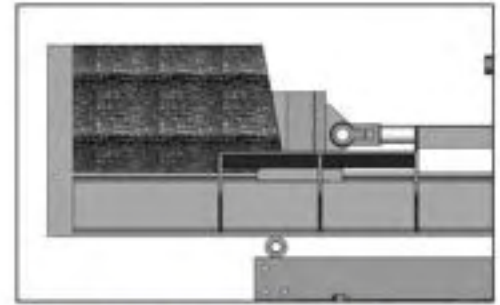
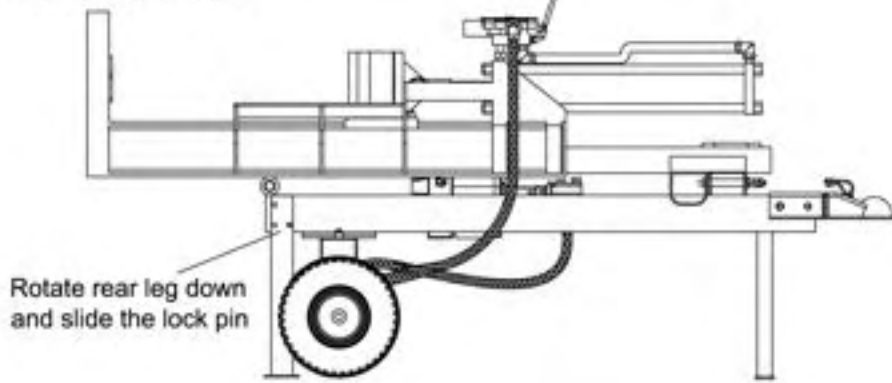
Inspect for cracks and leaks in the hydraulic fittings before each use. Replace all damaged fittings before starting engine.

Check for loose nuts and bolts before each use. Tighten loose nuts and bolts before use.

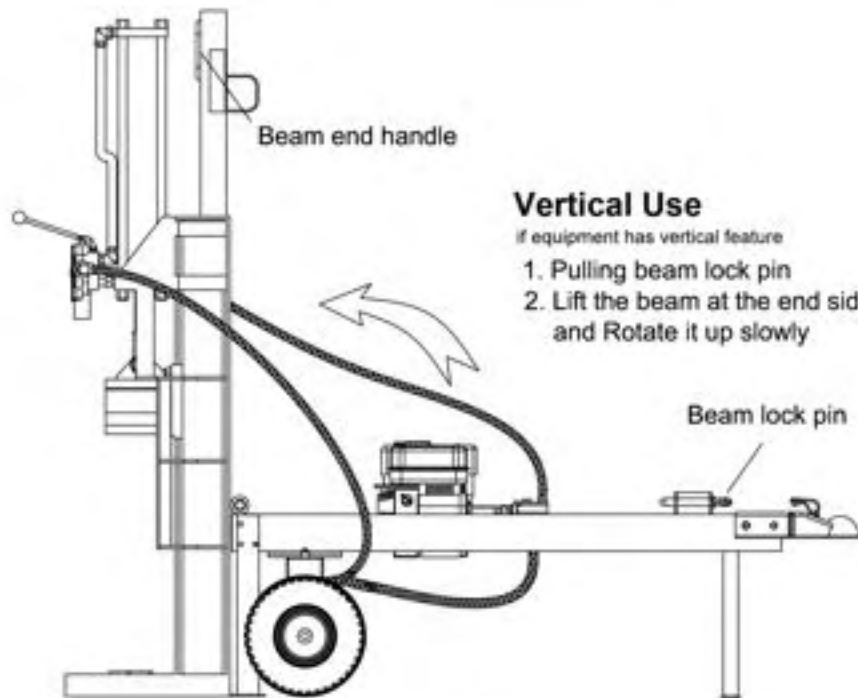
Apply grease to beam surface before each use.

Clear debris from moving parts before each use.

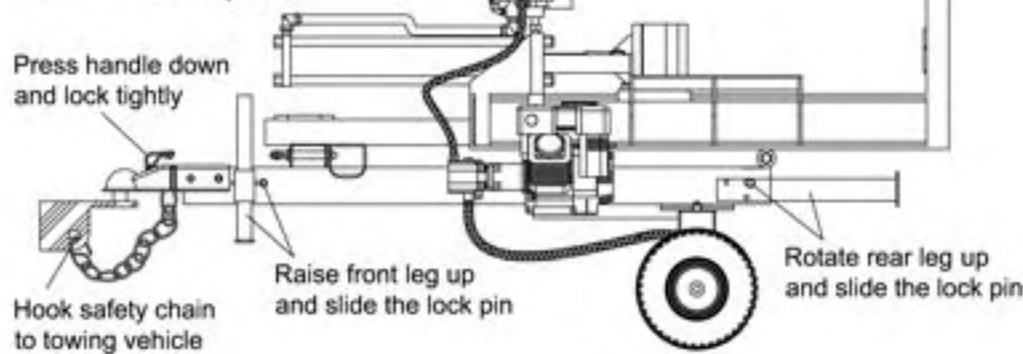
Horizontal Use



Best way to load log



Vehicle Transport



Limited Manufacturer Warranty

North American Tool (NAT) Industries makes every effort to ensure that this product meets high quality and durability standards. NAT warrants to the original retail consumer a 1-year limited warranty from the date the product was purchased at retail and each product is free from defects in materials. Warranty does not apply to defects due directly or indirectly to misuse, abuse, negligence, or accidents, repairs or alterations, or a lack of maintenance. NAT shall in no event be liable for death, injuries to persons or property, or for incidental, special, or consequential damages arising from the use of our products. To receive service under warranty, the original manufacturer part must be returned for examination by an authorized service center. Shipping and handling charges may apply. If a defect is found, NAT will either repair or replace the product at its discretion.

DO NOT RETURN TO STORE

For Customer Service:

Email feedback@natitools.com or Call 1-800-348-5004