

LANDMANN® BALL 'O FIRE™

ASSEMBLY INSTRUCTIONS

MODEL 28924, 28925

PRODUCT CODE: O

PAGE 1



PLEASE READ ALL RULES FOR SAFE OPERATION BEFORE ASSEMBLY AND HELPFUL HINTS BEFORE USE.

VER. 6, 7/28/08



Assembly and Use Instructions for Models: 28924, 28925

WARNING !



CARBON MONOXIDE HAZARD !

Burning wood or charcoal produces carbon monoxide, which has no odor and can kill you if burned in enclosed areas. NEVER burn wood or charcoal inside homes, vehicles, tents or any other enclosed area.



READ FIRST! RULES FOR SAFE OPERATION

- FOR OUTDOOR USE ONLY!
- USE ONLY ON BRICK, CONCRETE, STONE OR OTHER MASONRY SURFACES!
- DO NOT USE ON LAWNS, WOODEN DECKS OR ASPHALT!
- THE BALL 'O FIRE MUST BE PLACED ON A LEVEL SURFACE.
- DO NOT USE WITHOUT FIREBOWL, THE FIREBOWL MUST BE USED AT ALL TIMES!
- FIREWOOD MUST BE KEPT WITHIN THE BOUNDARIES OF THE FIREBOWL.
- FIREWOOD MUST NOT BE ALLOWED TO TOUCH ANY PART OF THE SCREEN.
- FOR LONGER LIFE, KEEP FIRES TO A RESPECTABLE SIZE, DO NOT OVERLOAD.
- DO NOT BURN LEAVES OR GARBAGE IN THE BALL 'O FIRE.
- KEEP THE BALL 'O FIRE AWAY FROM BUILDINGS, FLAMMABLE ITEMS AND VEHICLES.
- THE BALL 'O FIRE IS FOR ADULT USE ONLY.
- DO NOT LEAVE UNATTENDED AT ANY TIME WHILE IN USE.
- KEEP SPARK GUARD CLOSED WHILE IN USE.
- DO NOT USE IN WINDY CONDITIONS!
- NEVER USE GASOLINE, ALCOHOL OR VOLATILE FLUIDS TO START FIRES.
- NEVER USE UNDER LOW HANGING TREE BRANCHES, TRELLIS, OVERHANGS OF ANY KIND INCLUDING COVERED PORCHES.
- USE CAUTION WHEN TENDING THE FIRE, AS SURFACES WILL BE HOT WHILE IN USE.
- USE MITTENS OR POKER IF NECESSARY TO OPEN THE SPARK GUARD DOOR.
- BEFORE EACH USE MAKE SURE THE BALL 'O FIRE IS IN GOOD WORKING CONDITION.
- USE CAUTION AFTER THE FIRE HAS BEEN EXTINGUISHED, SURFACES WILL REMAIN HOT FOR SOME TIME.
- USE THE COVER ONLY AFTER THE BALL 'O FIRE HAS COMPLETELY COOLED.

Congratulations on your purchase of the Ball 'O Fire! At Landmann USA, we strive to provide you with an easy to use, easy to assemble product. However, in the unlikely event your package should have a missing or defective part, please contact us at:
customerservice@landmann-usa.com

-OR-

1-800-321-3473 M-F 8-5 Eastern Time

Proof of purchase may be required. Thank you!

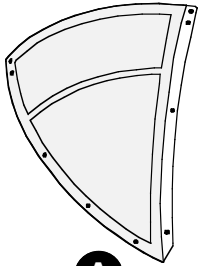
Landmann USA
Cartersville, GA 30120
www.landmann-usa.com
Made in China
© 2008 Landmann USA

PRODUCT CODE: O

LANDMANN® BALL 'O FIRE™

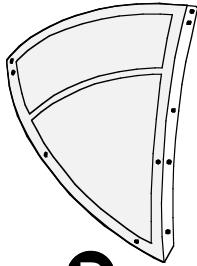
PARTS LIST:

When unpacking the Ball 'O Fire from the carton, make sure you find and become familiar with all the pieces listed below:



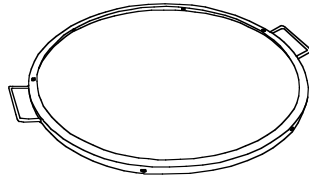
A

(3) BOTTOM
SCREEN
SECTIONS



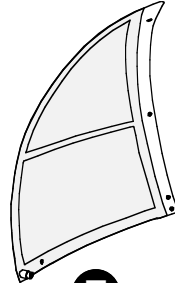
B

(3) BOTTOM
SCREEN
SECTIONS



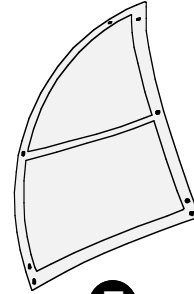
C

(1) CENTER RING



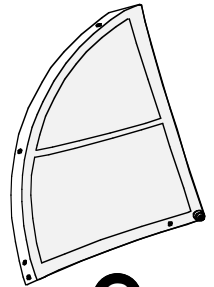
E

(1) LEFT FIXED
TOP SECTION



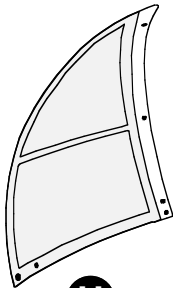
F

(1) CENTER FIXED
TOP SECTION



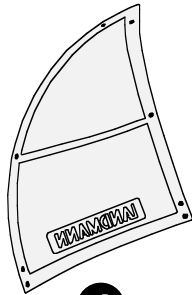
G

(1) RIGHT FIXED
TOP SECTION



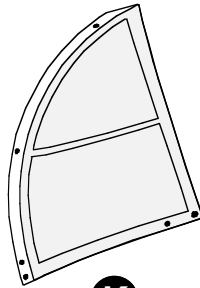
H

(1) LEFT DOOR
SECTION



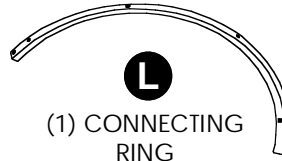
J

(1) CENTER DOOR
SECTION



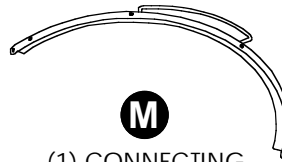
K

(1) RIGHT DOOR
SECTION



L

(1) CONNECTING
RING



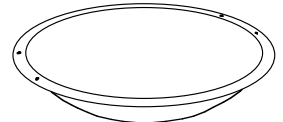
M

(1) CONNECTING
RING W/ HANDLE



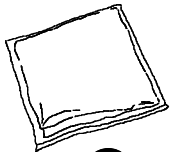
N

(2) BOWL
HANDLES



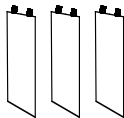
O

(1) BOWL



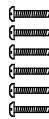
P

(1) COVER



Q

(3) LEGS



R

(6)
25MM
BOLTS



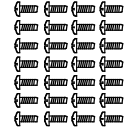
S

(6)
20MM
BOLTS



T

(6)
10MM
BOLTS



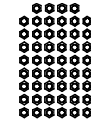
U

(28)
13MM
BOLTS



V

(2)
40MM
BOLTS



W

(52)
HEXNUTS



X

(6)
CAP
NUTS



Y

(2)
LOCK
WASHERS



Z

(2)
FLAT
WASHERS

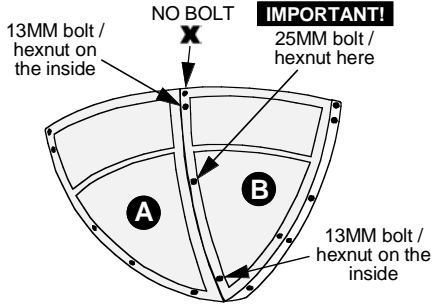
**IF YOU HAVE MISSING
OR DEFECTIVE PARTS,
PLEASE CALL CUSTOMER
SERVICE AT 1-877-347-4557**



**FOR OUTDOOR
USE ONLY**

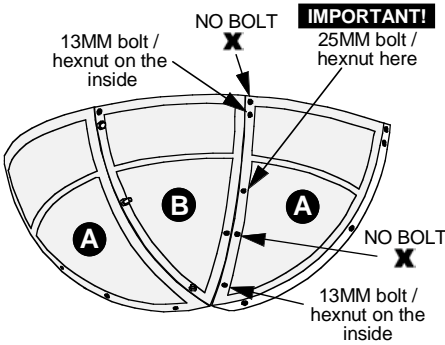
LANDMANN[®] BALL 'O FIRE™

ASSEMBLY INSTRUCTIONS:



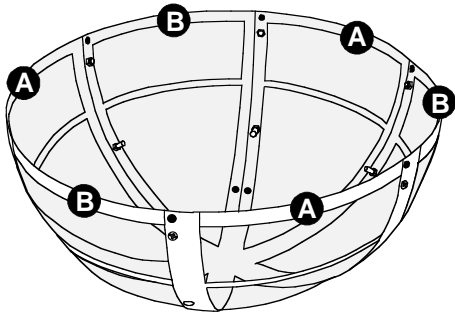
STEP 1

Find (1) pc each of the bottom screen sections [A,B]. Assemble together using (2) 13MM bolts, (1) 25MM bolt and (3) hexnuts as shown. Assemble the 25MM bolt where shown. Only finger tighten at this time.



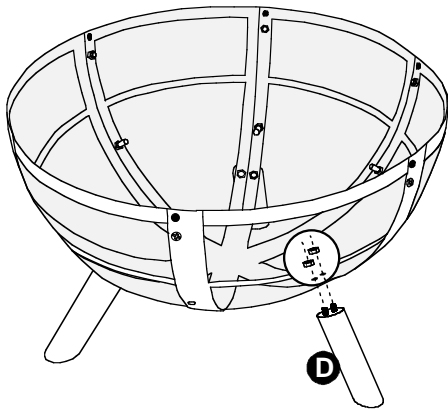
STEP 2

Assemble (1) pc screen section [A] to the screens using (2) 13MM bolts, (1) 25MM bolt and (3) hexnuts as shown. Assemble the 25MM bolt where shown. Only finger tighten at this time.



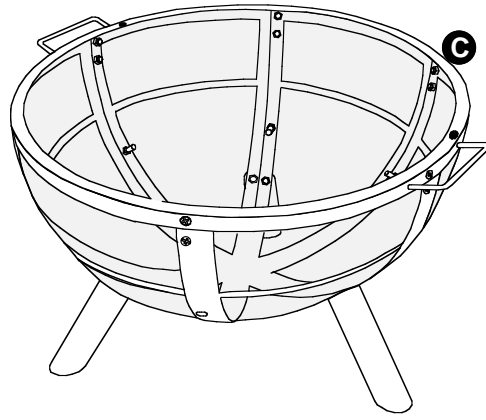
STEP 3

Following the same instructions in steps 1 and 2, continue to alternate and assemble the remaining screen sections [A,B] until the screen bottom is formed.



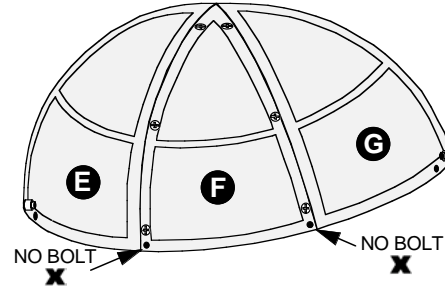
STEP 4

Assemble the (3) legs [D] to the screen bowl using (6) hexnuts. Securely tighten the bolts.



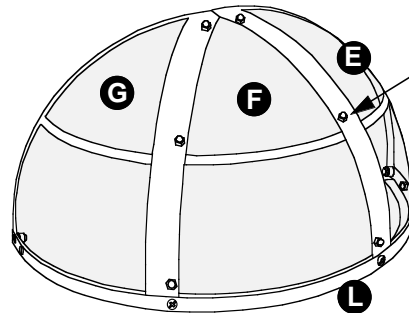
STEP 5

Find the center ring [C] and remove the pre-assembled 20MM bolts and hexnuts. Carefully place the center ring on the screen sections aligning the holes with the center ring. Assemble with the (6) 20MM bolts and hexnuts. Securely tighten the bolts.



STEP 6

Assemble screen sections [E, F, G] together with (6) 10MM bolts and (6) cap nuts. Assemble with the cap nuts on the outside. Tighten bolts and cap nuts securely.

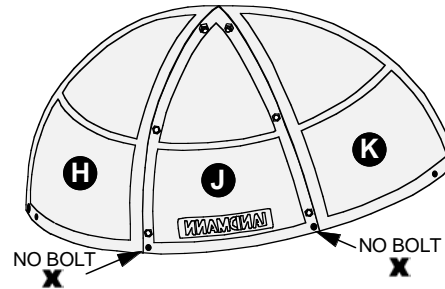


IMPORTANT!

Make sure cap nuts are assembled on the outside (STEP 6).

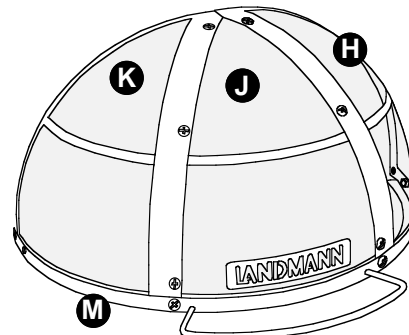
STEP 7

Assemble connecting ring [L] to the screen sections using (4) 13MM bolts and hexnuts. Tighten securely.



STEP 8

Assemble screen sections [H, J, K] together with (6) 13MM bolts and (6) hexnuts. Securely tighten the bolts.



STEP 9

Assemble connecting ring with handle [M] to the screen sections using (4) 13MM bolts and hexnuts. Tighten securely.

LANDMANN® BALL 'O FIRE™

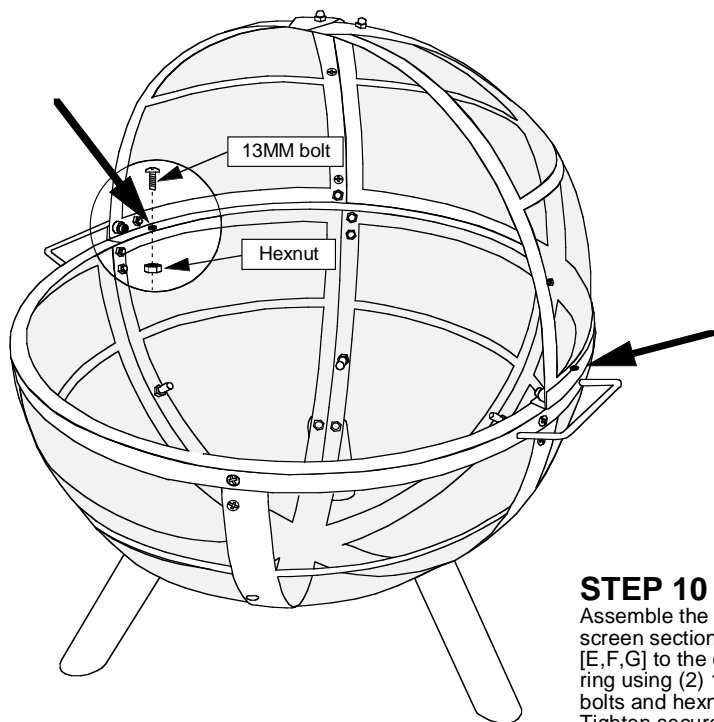
ASSEMBLY INSTRUCTIONS:



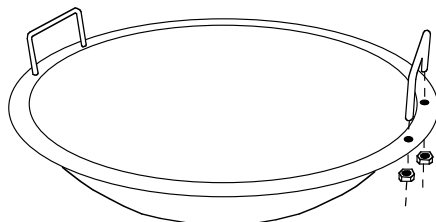
HELPFUL HINTS

- ADDING SAND TO THE BOTTOM OF FIREBOWL HELPS PROTECT AGAINST THE CORROSIVE NATURE OF THE ASHES AND WILL EXTEND THE LIFE OF THE FIREBOWL.
- IF YOU ARE NOT GOING TO USE THE BALL 'O FIRE FOR A LONG PERIOD OF TIME, STORE AWAY OUT OF THE WEATHER OR USE THE COVER TO KEEP DRY.
- DO NOT LET FIREBOWL FILL WITH WATER.
- DO NOT DUMP ASHES WHERE THEY COULD START A FIRE.
- DISPOSE OF ASHES IN PROPER RECEPTACLE ONLY AFTER ASHES HAVE COOLED.

DO NOT RETURN PRODUCT TO THE STORE. IF YOU HAVE QUESTIONS OR TROUBLE WITH ASSEMBLY, PLEASE CALL 1-877-347-4557 FOR ASSISTANCE.



STEP 10
Assemble the fixed screen sections [E,F,G] to the center ring using (2) 13MM bolts and hexnuts. Tighten securely.



STEP 11
Assemble the bowl handles [N] to the bowl [O] using (4) hexnuts. Tighten securely.



WARNING!

DO NOT USE WITHOUT FIREBOWL, THE FIREBOWL MUST BE USED AT ALL TIMES. KEEP FIREWOOD WITHIN THE BOUNDARIES OF THE FIREBOWL. DO NOT PILE WOOD ON ANY SCREEN PART. FIREWOOD MUST NOT BE ALLOWED TO TOUCH ANY PART OF THE SCREEN. FOR LONGER PRODUCT LIFE, KEEP FIRES TO A RESPECTABLE SIZE, DO NOT OVERLOAD.

STEP 12
Assemble door screen section [H,J,K] to the pivot pins as shown. Squeeze the ends of the door together if necessary and insert into the pins. Assemble the door with (2) 40MM bolts, flat washers, lock washers and hexnuts. Assemble as shown.

Place the firebowl on the inside and onto the 25MM bolts.

The Ball 'O Fire is ready for use. Enjoy!

